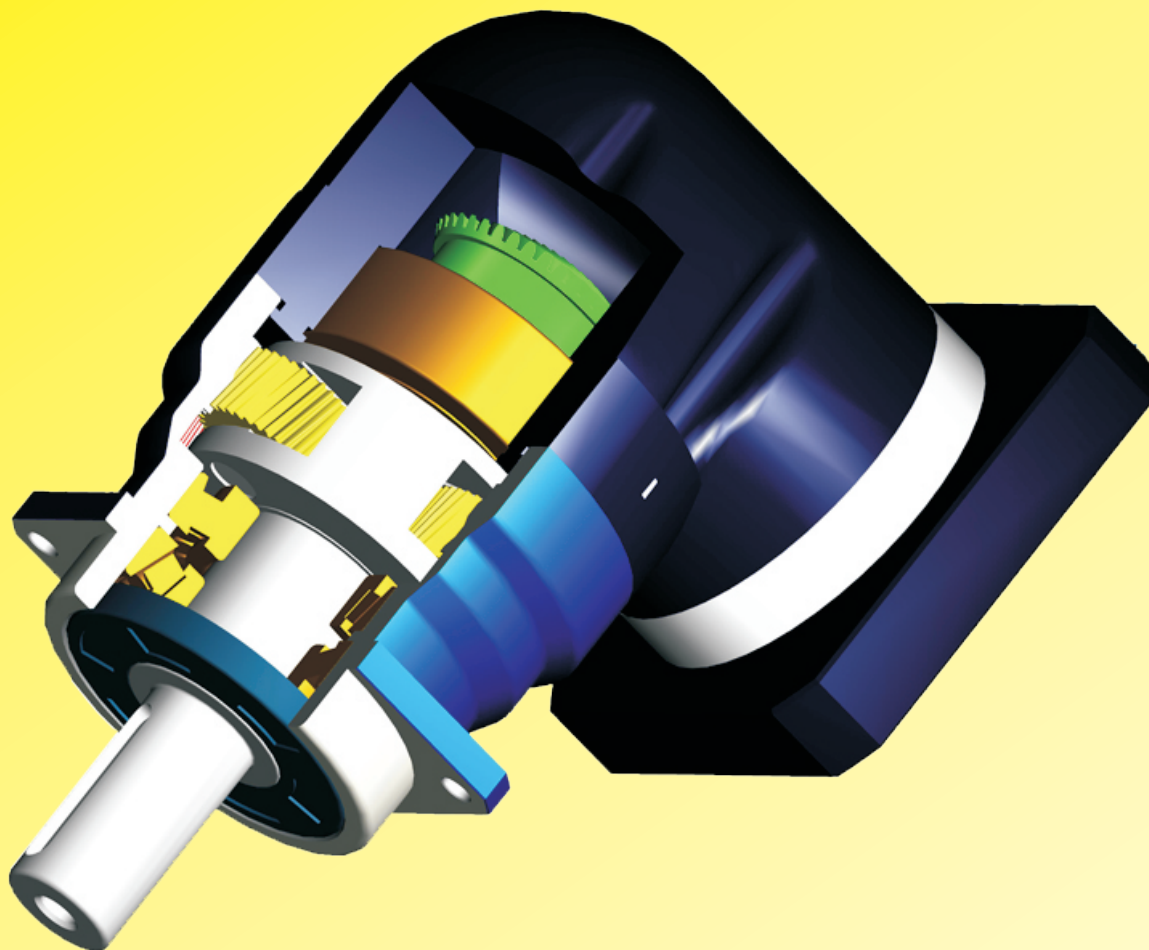


EVS系列行星减速机

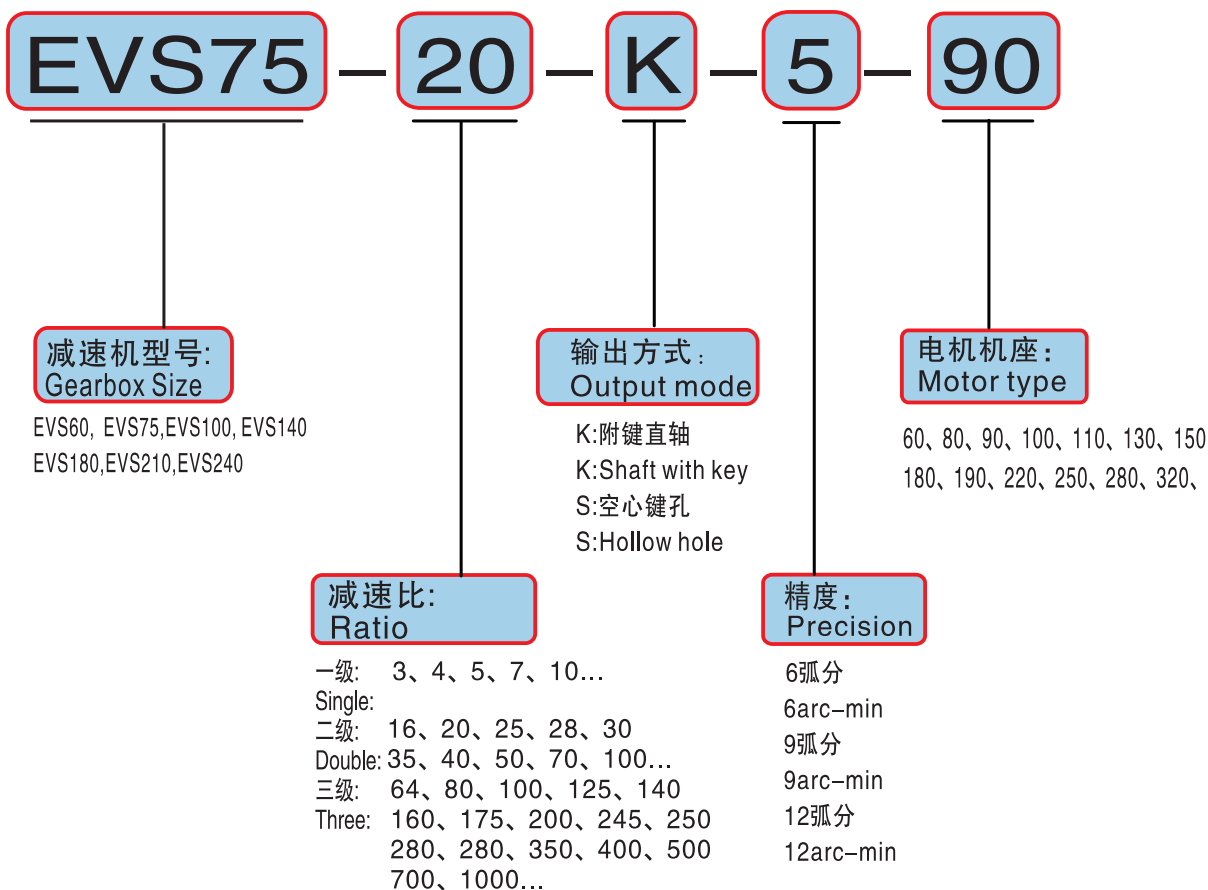


产品特点：高精度、承载力大、速比多、寿命长、噪音小、免维护。
Product features: High precision, high bearing capacity, high Speed ratio, Long life, low noise, maintenance free.

输入种类：交流伺服马达、直流伺服马达、步进马达。
Type: AC servo motor, DC servo motor, stepping motor.

应用领域：机床、军工、新能源设备、工业机器人、印刷设备、自动组装线、等高精度场合的应用。
Application fields: Machine tools, military industry, newenergy equipment, industrial robots, printing equipment, automatic Assembly line, and other high precision applications.

订货型号表示： Ordering representation



减速机工况应用选择表 Application selection of gear reducer						
		使用系数(fs) Use coefficient(fs)				
负载类型 Load type	每小时启动次数Z Start times per hour Z	每日运行时间(h) Daily running time(h)				
		h≤4	4≤h≤8	8≤h≤12	12≤h≤16	16≤h≤24
平稳负载 Steady load	Z≤10	0.9	1.0	1.1	1.4	1.8
	10≤Z≤30	1.0	1.2	1.3	1.6	2.0
	30≤Z≤100	1.2	1.4	1.5	1.8	2.2
中等冲击负载 Medium impact load	Z≤10	1.2	1.4	1.5	1.8	2.2
	10≤Z≤30	1.4	1.6	1.65	2.0	2.5
	30≤Z≤100	1.6	1.8	2.0	2.2	2.8
冲击重载 Shock Overload	Z≤10	1.6	1.8	2.0	2.2	2.8
	10≤Z≤30	1.8	2.0	2.2	2.4	3.0
	30≤Z≤100	2.0	2.3	2.5	2.7	3.3

注：输出惯性大时,请加大一个型号选用；连续运转时工作寿命将降低一半。
Note: The output inertia is large, please increase the selection of a model;
Continuous operation working life will be reduced by half.

减速机性能参数 Gear performance parameters

规格 Specifications	单位 Unit	级数 Series	速比 Ratio	EVS60	EVS75	EVS100	EVS140	EVS180	EVS210	EVS240
额定承受扭矩 T2N Rated torque	Nm	L1	3	28	130	240	450	1100	1750	2500
			4	52	165	320	650	1650	2650	3500
			5	52	165	320	650	1650	2650	3500
			7	36	120	210	500	1250	1850	2100
			9	-	-	-	-	-	-	1500
			10	18	75	165	320	700	1150	-
		L2	12	28	130	240	450	1100	1750	3500
			15	28	130	240	450	1100	1750	3500
			16	52	165	320	650	1650	2650	3500
			20	52	165	320	650	1650	2650	3500
			25	52	165	320	650	1650	2650	3500
			28	52	165	320	650	1650	2650	3500
			30	28	130	240	450	1100	1750	2500
			35	52	165	320	650	1650	2650	3500
			40	52	165	320	650	1650	2650	3500
			45	-	-	-	-	-	-	-
			50	52	165	320	650	1650	2650	3500
			70	36	120	210	500	1250	1850	2100
		100	18	75	165	320	700	1150	-	
		L3	64	52	165	320	650	1650	2650	3500
			80	52	165	320	650	1650	2650	3500
			100	52	165	320	650	1650	2650	3500
			125	52	165	320	650	1650	2650	3500
			160	52	165	320	650	1650	2650	3500
			175	52	165	320	650	1650	2650	3500
			200	52	165	320	650	1650	2650	3500
			250	52	165	320	650	1650	2650	3500
			280	52	165	320	650	1650	2650	3500
			300	28	130	240	450	1100	1750	2500
			350	52	165	320	650	1650	2650	3500
			400	52	165	320	650	1650	2650	3500
			500	52	165	320	650	1650	2650	3500
			700	38	120	210	500	1250	1850	2100
1000	18		75	165	320	700	1150	-		
最大承受扭矩T2B Maximum torque T2B	Nm	L1 L2 L3	3-1000	2.0倍额定输出扭矩 2.0 times the rated output torque						
额定输入转数n1N Rated speed n1N	R/min	L1 L2 L3	3-1000	3000	3000	3000	2000	2000	2000	1500
背隙 Back clearance	arcmin	L1	3-10	≤6	≤6	≤6	≤6	≤6	≤6	≤10
		L2	12-100	≤9	≤9	≤9	≤9	≤9	≤9	≤15
		L3	64-1000	≤12	≤12	≤12	≤12	≤12	≤12	≤20
容许径向力F1 Allowable radial force	N	L1 L2 L3	3-1000	800	1000	3000	5000	8000	12000	20000
容许轴向力F2 Allowable axial force	N	L1 L2 L3	3-1000	1500	2000	6000	10000	20000	30000	40000
效率 η Efficiency	%	L1	3-10	93%	93%	93%	93%	93%	93%	93%
		L2	9-100	90%	90%	90%	90%	90%	90%	90%
		L3	64-1000	87%	87%	87%	87%	87%	87%	87%
重量 Weight	kg	L1	3-10	2.5	5.5	13.0	30.0	55.0	80.0	110
		L2	9-100	3.2	6.5	15.0	35.0	62.0	95.0	130
		L3	64-1000	3.9	7.5	17.0	40.0	69.0	105.0	145
噪音 Noise	DB	L1 L2 L3	3-1000	≤58	≤60	≤65	≤70	≤70	≤75	≤75

注：输入伞齿轮为1:1

Note: the input bevel gear is 1:1

减速机性能参数 Gear performance parameters

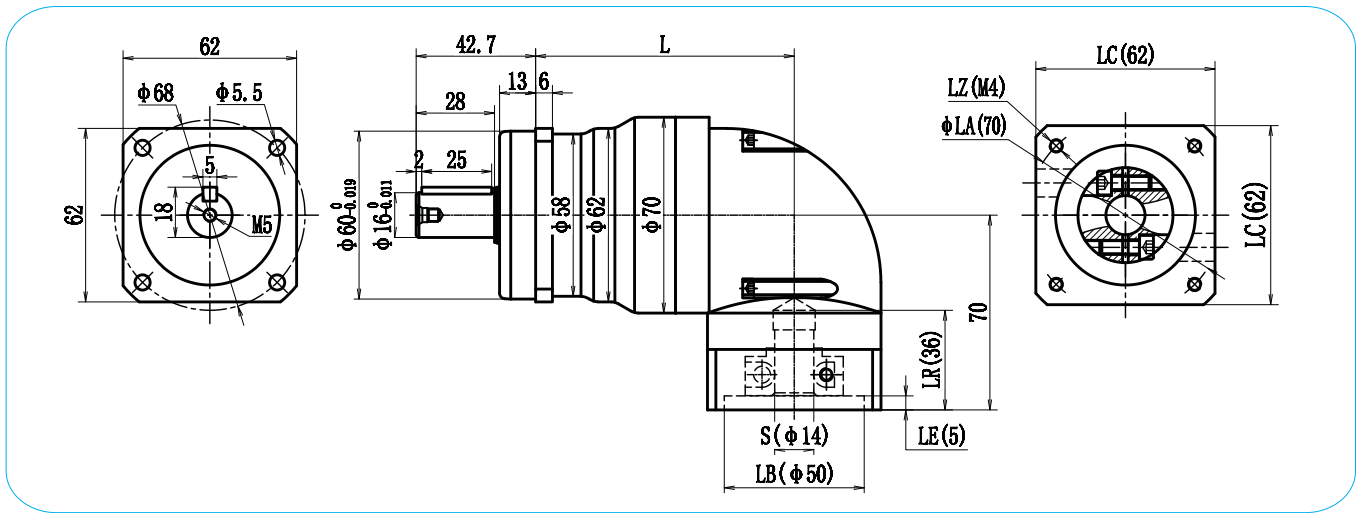
规格 Specifications	单位 Unit	级数 Series	速比 Ratio	EVS60	EVS75	EVS100	EVS140	EVS180	EVS210	EVS240	
额定承受扭矩 T2N Rated torque	Nm	L1	6	28	130	240	450	1100	1750	2500	
			8	52	165	320	650	1650	2650	3500	
			10	52	165	320	650	1650	2650	3500	
			14	36	120	210	500	1250	1850	2100	
			18	—	—	—	—	—	—	—	1500
			20	18	75	165	320	700	1150	—	—
		L2	24	28	130	240	450	1100	1750	2500	
			30	28	130	240	450	1100	1750	3500	
			32	52	165	320	650	1650	2650	3500	
			40	52	165	320	650	1650	2650	3500	
			50	52	165	320	650	1650	2650	3500	
			56	52	165	320	650	1650	2650	3500	
			60	28	130	240	450	1100	1750	2500	
			70	52	165	320	650	1650	2650	3500	
			80	52	165	320	650	1650	2650	3500	
			90	-	-	-	-	-	-	-	-
			100	52	165	320	650	1650	2650	3500	
			140	36	120	210	500	1250	1850	2100	
			200	18	75	165	320	700	1150	-	-
			L3	128	52	165	320	650	1650	2650	3500
		160		52	165	320	650	1650	2650	3500	
		200		52	165	320	650	1650	2650	3500	
		250		52	165	320	650	1650	2650	3500	
		320		52	165	320	650	1650	2650	3500	
		350		52	165	320	650	1650	2650	3500	
		400		52	165	320	650	1650	2650	3500	
		500		52	165	320	650	1650	2650	3500	
		560		52	165	320	650	1650	2650	3500	
		600		28	130	240	450	1100	1750	2500	
		700	52	165	320	650	1650	2650	3500		
800	52	165	320	650	1650	2650	3500				
1000	52	165	320	650	1650	2650	3500				
1400	38	120	210	500	1250	1850	2100				
2000	18	75	165	320	700	1150	-	-			
最大承受扭矩T2B Maximum torque T2B	Nm	L1 L2 L3	6-2000	2.0倍额定输出扭矩 2.0 times the rated output torque							
额定输入转数n1N Rated speed n1N	R/min	L1 L2 L3	6-2000	3000	3000	3000	2000	2000	2000	1500	
背隙 Back clearance	arcmin	L1	6-20	≤6	≤6	≤6	≤6	≤6	≤6	≤10	
		L2	24-200	≤9	≤9	≤9	≤9	≤9	≤9	≤15	
		L3	128-2000	≤12	≤12	≤12	≤12	≤12	≤12	≤20	
容许径向力F1 Allowable radial force	N	L1 L2 L3	6-2000	500	1000	3000	5000	8000	12000	20000	
容许轴向力F2 Allowable axial force	N	L1 L2 L3	6-2000	300	500	1000	2000	8000	20000	30000	
效率 η Efficiency	%	L1	6-20	93%	93%	93%	93%	93%	93%	93%	
		L2	24-200	90%	90%	90%	90%	90%	90%	90%	
		L3	128-2000	87%	87%	87%	87%	87%	87%	87%	
重量 Weight	kg	L1	6-20	2.5	5.5	13.0	30.0	55.0	80.0	110	
		L2	24-200	3.2	6.5	15.0	35.0	62.0	95.0	130	
		L3	128-2000	7.5	7.5	17.0	40.0	69.0	105.0	145	
噪音 Noise	DB	L1 L2 L3	6-2000	≤58	≤60	≤65	≤70	≤70	≤75	≤75	

注：输入伞齿轮为1:2

Note: the input bevel gear is 1:2

EVS60外形图

EVS60 Appearance Figure

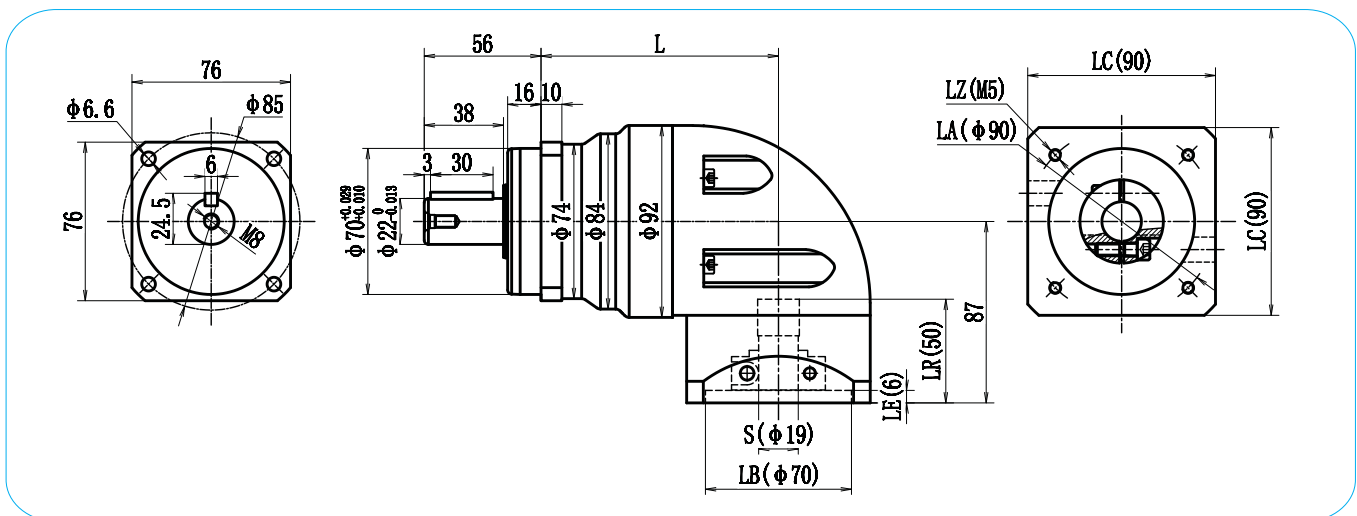


电机机座 Motor frame	LA	LZ	S	LB	LR	LE	LC	级数 Series		
								L1	L2	L3
40	45	4-M3	8	30	25	5	40	88.5	110	131
60	70	4-M4	11/14	50	30	5	60	88.5	110	131



EVS75外形图

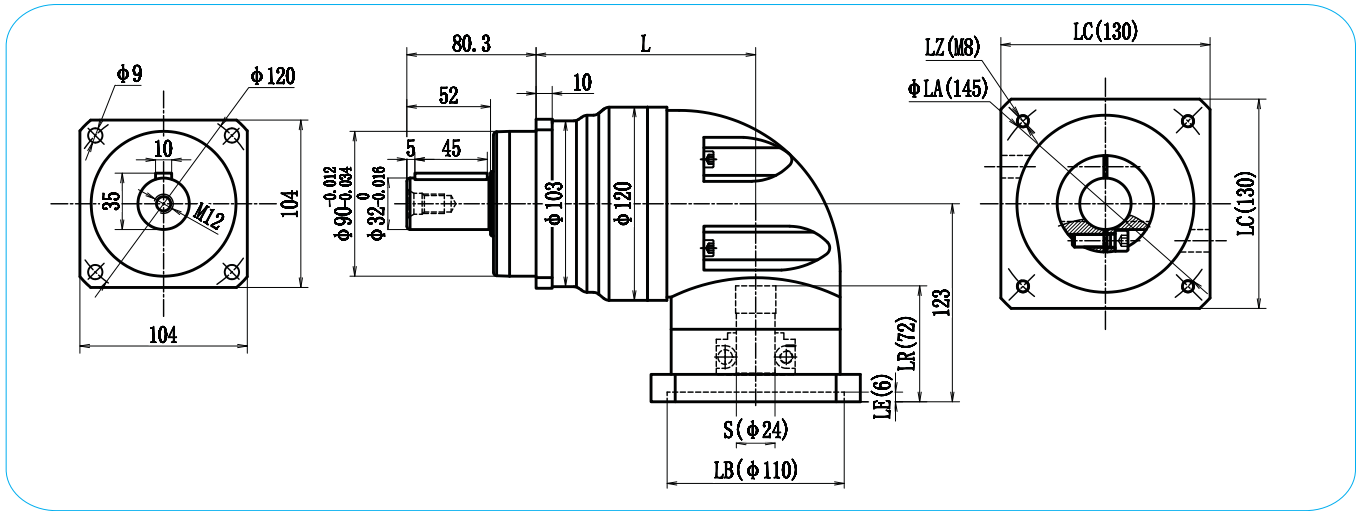
EVS75 Appearance Figure



电机机座 Motor frame	LA	LZ	S	LB	LR	LE	LC	级数 Series		
								L1	L2	L3
60	70	4-M4	11/14	50	30	5	60	112	142	172
80	90	4-M5	19	70	35	5	80	112	142	172
90	100	4-M6	16/19	80	35	5	90	112	142	172

EVS100外形图

EVS100 Appearance Figure

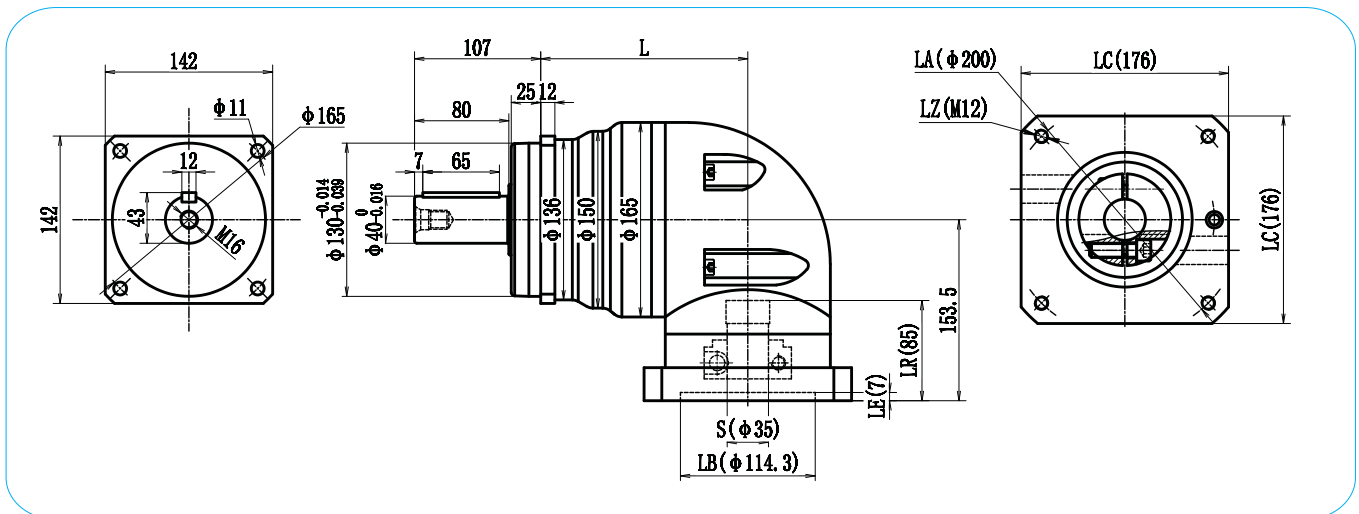


电机机座 Motor frame	LA	LZ	S	LB	LR	LE	LC	级数 Series		
								L1	L2	L3
100	115	4-M8	19/22	95	55	8	100	137	175	213
110	130	4-M8	22	110	55	8	110	137	175	213
130	145	4-M8	22/24	110	65	10	130	137	175	213



EVS140外形图

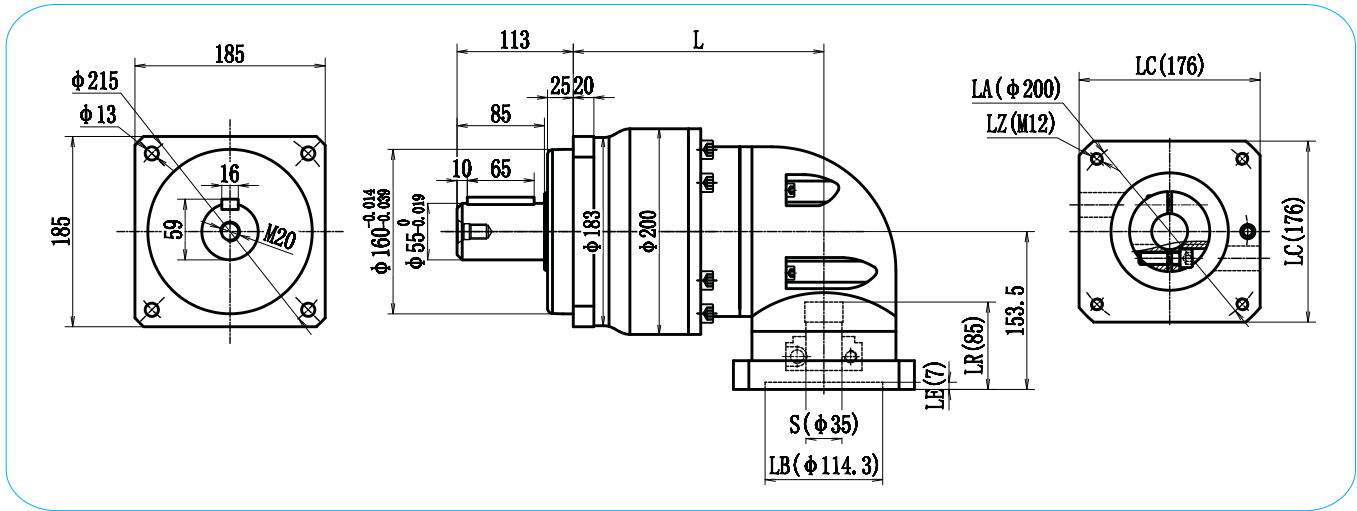
EVS140 Appearance Figure



电机机座 Motor frame	LA	LZ	S	LB	LR	LE	LC	级数 Series		
								L1	L2	L3
130	145	4-M8	22/24	110	65	10	130	177	224	271
150	165	4-M10	28/32	130	65	10	150	177	224	271
180	200	4-M12	35	114.3	80	10	180	177	224	271

EVS180外形图

EVS180 Appearance Figure

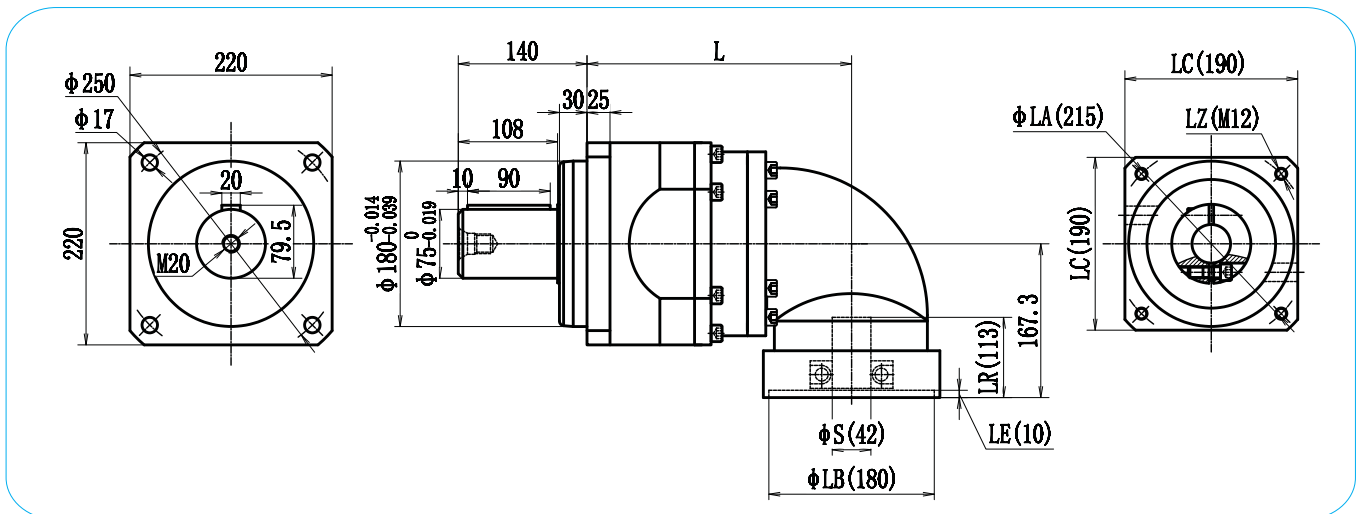


电机机座 Motor frame	LA	LZ	S	LB	LR	LE	LC	级数 Series		
								L1	L2	L3
150	165	4-M10	28/32	130	65	10	150	225	245	293
180	200	4-M12	35/42	114.3	80/114	10	180	225	245	293
190	215	4-M12	42/38	180	80	10	190	225	245	293



EVS210外形图

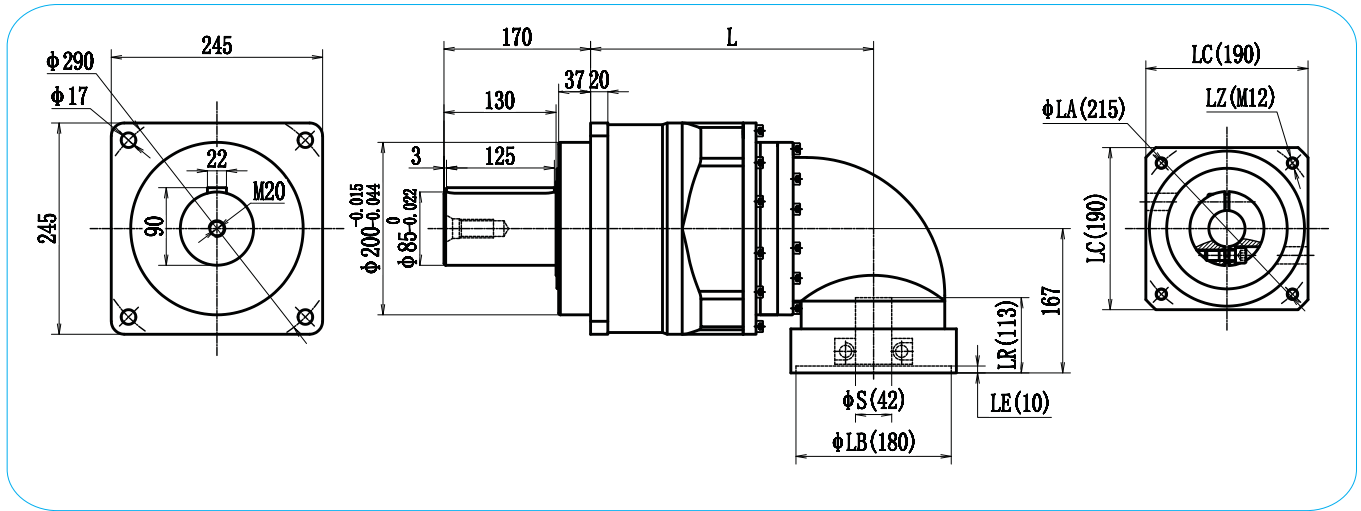
EVS210 Appearance Figure



电机机座 Motor frame	LA	LZ	S	LB	LR	LE	LC	级数 Series		
								L1	L2	L3
180	200	4-M12	35/42	114.3	80/114	10	180	270	301	349
190	215	4-M12	42/38	180	80	10	190	270	301	349
220	235	4-M12	55	200	110	10	220	270	301	349

EVS240外形图

EVS240 Appearance Figure



电机机座 Motor frame	LA	LZ	S	LB	LR	LE	LC	级数 Series		
								L1	L2	L3
220	235	4-M12	55	200	110	10	220	325	388	463
250	265	4-M12	60/65	230	140	10	250	325	388	463
280	300	4-M16	55/70	250	140	10	280	325	388	463

